



www.subcold.com

INTEGRA SERIES


PLEASE READ & RETAIN USER MANUAL FOR FUTURE REFERENCE

USER MANUAL

Contents

Important Safety Warnings	3-4
Intended Usage & Environment	4
Installation Instructions	5-8
Operating Instructions	9-10
Moving & Handling Your Appliance	11
Maintenance	11
Contamination Prevention Guidelines	12
Troubleshooting Guide	13-15
Product Specification	16
EPREL	17
Warranty	17
Environmental Friendly Disposal	17

Important Safety Warnings

- **Caution When Positioning:** Ensure the appliance's power cable is neither trapped nor damaged during positioning.
- **Power Socket:** Refrain from positioning portable power sockets or cables at the rear of the appliance.
- **Refrigerant Circuit Warning:** Avoid damaging the refrigerant circuit.
- **Defrosting Caution:** Use only recommended methods to defrost; sharp objects or other tools may cause permanent damage.
- **Electrical Appliance Use Warning:** Refrain from using electrical appliances inside the fridge unless manufacturer recommended.
- **Disposal Precautions:** Before disposing of the appliance, remove doors and leave shelves in place.
- **Flammable Materials Caution:** Never allow children to interact with the appliance, avoid cleaning with flammable liquids, and keep flammable materials away from the appliance.
- **Cleaning Instructions:** Use non-abrasive cleaners or soapy water for cleaning; avoid solvents.
- **Fire Hazard Symbol:** Symbol ISO 7010 W021 indicates a fire hazard. 
- **Door Openings:** Minimise the time the door is open to maintain a stable temperature.
- **General Installation Guidelines:** Avoid heat sources and direct sunlight, install on a flat, clean, stable surface, and refrain from placing other electrical equipment on the appliance.
- **Damp Environment Warning:** Ensure the appliance is not placed in damp areas.
- **Ventilation Opening:** Ensure the ventilation opening in the appliance enclosure is clear of obstruction.
- **Perishable Food Storage:** Avoid storing perishable food in this appliance for extended periods of time, as the indoor temperature may not be sufficiently cold for proper storage.
- **Circuitry and Power Plug:**
 - The circuitry for the refrigerator must be isolated. The area of cross section of wire must be larger than 0.75mm.
 - The power plug should have its own socket, grounded, as an adapter may cause the socket to overheat.
 - The voltage and frequency of this product should be 220-240V;50Hz. Contact a qualified local electrician or retailer in case of electrical cord damage.
 - Always disconnect the power by pulling the power plug out of the socket directly and not by the cord.

Important Safety Warnings

- **Supervision and Usage:** Persons with low physical, sensory, and mental capabilities (including children below 8 years) are not advised to use this appliance unless they are well supervised/instructed by a safety person. Children should be supervised to ensure that they do not play with the appliance. Cleaning and user maintenance should not be done by children without supervision.
- **Disposal Instructions:** Before disposing of your old refrigerator or freezer, take off the doors and leave the shelves in place to prevent easy access for children.
- **Prohibited Storage:** Do not store explosive devices/substances such as aerosol cans with a flammable propellant in the appliance.
- **Intended Use:** This appliance is intended for household and similar applications.
- **Use of Electrical Appliance:** Do not use electrical appliances inside the food storage compartments of the appliance unless recommended by the manufacturer.
- **Replacement of Faulty Parts:** All affected or faulty parts (including the light) must be changed by a certified technician.
- **Supply Cord Replacement:** To avoid hazards, the supply cord must always be replaced by the manufacturer, its service agent, or similarly a certified/qualified person when damaged.

Intended Usage & Environment

- **Intended Use and Temperature Range:** This appliance is specifically designed for indoor use within households and similar applications, excluding catering and non-retail environments. It operates optimally within a room temperature range of 19°C to 24°C.
- **Age Recommendation and Supervision:** This appliance is intended for use by individuals aged 8 years or older. Individuals with reduced physical, sensory, or mental abilities may use this item, provided they are under appropriate supervision. Cleaning and user maintenance activities should be overseen. It is crucial to provide clear instructions on safe usage and address any associated risks.
- **Child Safety Warning:** Refrain from using this product in areas accessible to children, and do not permit unsupervised use by children. The appliance is not designed for play by children.
- **Food Freezing Warning:** It is not suitable for freezing food items.

Installation Instructions

Before Putting Your Appliance Into Use

- Remove all inner and outer packaging components, including adhesive transport tapes.
- Verify that none of the following are missing:
 - Shelves
 - Handle
 - Operating Manual
- Allow the appliance to stand upright for a minimum of 2 hours before connecting it to a power supply. This minimises the risk of refrigeration system malfunction due to transport & handling.
- Clean the inner surfaces of the unit with a soft cloth and warm, soapy water. Avoid using any abrasive cleaners or solvents.
- Place the unit on a stable surface that can withstand its weight, making sure to adjust the front feet for stability. Ensure the surface is firm, flat, and level to reduce noise and vibration. Tighten the adjustable legs to the floor and tilt the appliance slightly backward to ensure the door closes tightly.
- Install the appliance away from direct sunlight and heat sources (such as stoves, heaters, and radiators) to prevent damage to the exterior coating and reduce power consumption. Exposure to extreme temperatures can affect proper operation.
- Install the handle on the left side of the door.
- Ventilation Opening: Ensure the ventilation opening in the appliance enclosure is clear of obstruction.
- Do not install the unit in unheated buildings, outbuildings, or garages.
- This unit is for indoor use only.

Caution: Keep the unit away from any substances that may cause combustion.

Important Information on Initial Cooling

When first stocked with room-temperature wine, the wine cooler will take longer to reach the set temperature as it removes heat from the bottles. During this time, the side panels may feel warm — this is normal and will reduce once the wine has cooled.

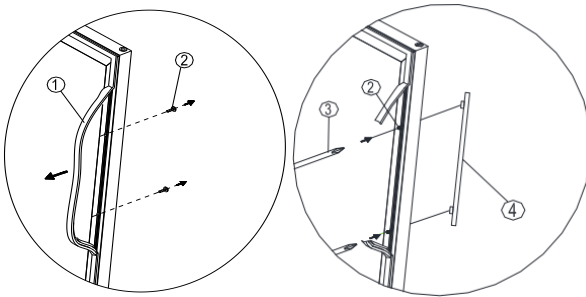
For best results:

- Allow additional time for the wine cooler to reach the selected temperature.
- Keep the door closed as much as possible during this period to maintain cooling efficiency.

Installation Instructions

Installing the Handle

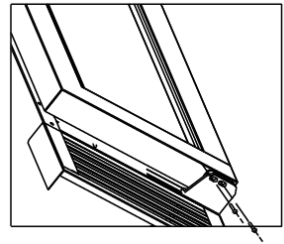
1. Gently pull back the door gasket in the area where the handle is to be installed, as shown in Illustration below. The gasket can be displaced easily by hand; no tools are required.
2. Align the handle with the pre-installed screws. Tighten the screws using a Phillips-head screwdriver until the handle sits flush and securely against the door frame. Do not overtighten, as this may damage the handle assembly.
3. Return the door gasket to its original position.



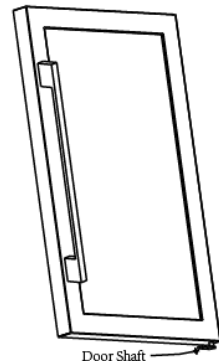
1. Gasket
2. Phillips Head Screw
3. Phillips Head Screw Driver
4. Handle

Reversing the Door

1—Use the screwdriver to loosen and remove the screws on the bottom hinge. Take care to support the glass door while removing the screws.

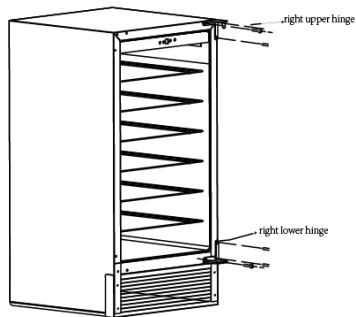


2—Lift the door off the lower hinge and place it on a soft mat to avoid damage or scratches. Then remove the adjustable door shaft.

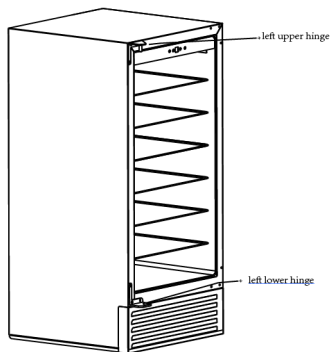


Installation Instructions

3—Unscrew the screws on the top hinge and lower hinge, and remove the door hinges. Use a putty knife to carefully prise up the screw-hole cover on the left side of the wine cooler, and re-cover the screw holes on the right side.

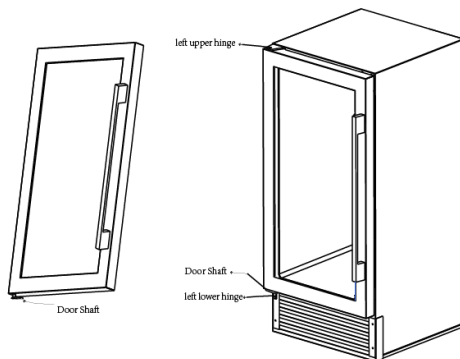


4—Install the left upper hinge and left lower hinge (included in the fittings) and tighten securely.

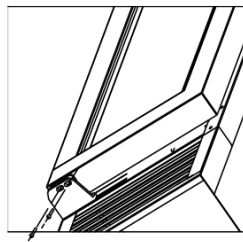


5—Rotate the door 180°. Install the adjustable door shaft onto the door first, then position the door back onto the unit.

Note: Ensure the upper hinge aligns with the top hinge hole on the door before securing it.



6—Adjust the door to make sure it is level with the top of the unit, then tighten the screws on the bottom hinge.

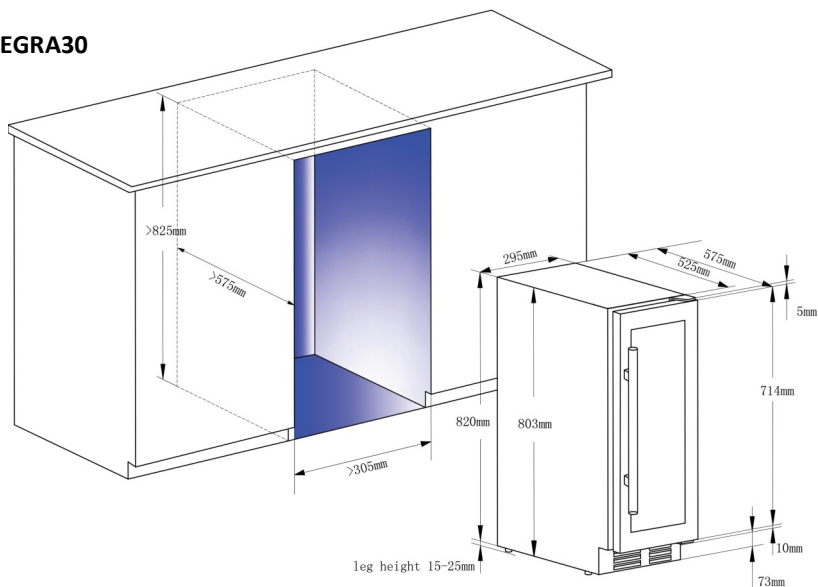


Installation Instructions

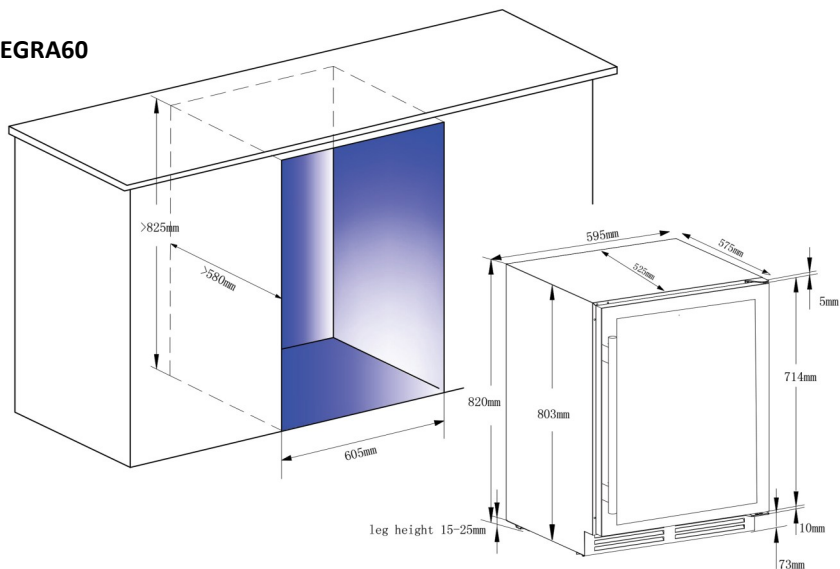
Ventilation Clearance

Always allow 5mm of clearance on both sides and the back for proper ventilation.

INTEGRA30



INTEGRA60



Operating Instructions



It is recommended that you install the wine cellar in an environment where the ambient temperature is between 16°C and 32°C, with humidity below 60%. If the ambient temperature falls outside this range, the performance of the unit may be affected. For example, placing the appliance in extremely hot or cold conditions may cause interior temperatures to fluctuate.

Setting the Temperature Control



Press this button once to turn the interior light ON or OFF




Press  to increase or press  to decrease the temperature in 1-degree increments between 3°C and 18°C (37°F and 65°F)



Press this button; when the number begins flashing, you can adjust the temperature up or down. If no buttons are pressed for 5 seconds, the display will return to showing the actual temperature.



Press once to turn ON the cooler. Press and hold  for about 3 seconds to turn the cooler OFF.



Toggles the temperature display between Celsius and Fahrenheit.

Operating Instructions

Shelves

To remove the shelves from the track, pull each shelf out until it reaches the shelf post, as shown in Figure A. Lift it upwards, then slowly pull the shelf out, as shown in Figure B.

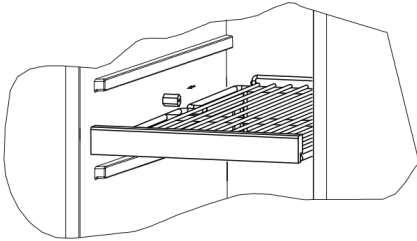


Figure A

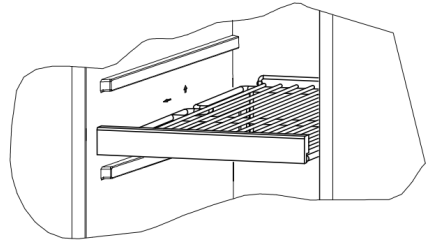


Figure B

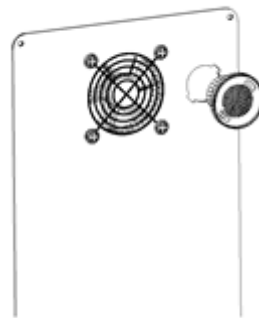
Charcoal Filtration System

Your wine is a living product that breathes through the cork. To preserve the quality and taste of your fine wines, they must be stored at the ideal temperature and in the correct ambient conditions. Your wine cellar is equipped with an active charcoal filtration system to ensure air purity, maintain cooling efficiency, and keep the cabinet odour-free.

The filter assembly is located on the rear panel inside your cellar.

Please note that the charcoal filter should be replaced every 12 months.

- 1 Remove any bottles stored on the two shelves in front of the filter.
- 2 Remove the shelves and set them aside to be replaced after the filter
- 3 Hold the filter and rotate it 45 degrees counter-clockwise, then pull
- 4 Remove the old filter and replace it with a new one.
- 5 Insert the new filter into the opening and rotate it 45 degrees clockwise to secure it in place.



Turn left to remove filter.

Moving & Handling Your Appliance

How to Safely Disconnect Your Fridge

Take note of the position of each accessory when packing the appliance.

When re-packing for transportation, ensure everything is securely packed and accessories are securely in place.

Avoid lifting or pulling the door or handle during transport to prevent damage.

Allow a minimum of 2 hours standing time before reconnecting the appliance to power.

Keep the appliance tilted at less than a 45-degree angle from the vertical direction while moving to prevent damage. Minimise exposure to strong vibrations during transportation.

Maintenance

- **Preparation for Maintenance**
Disconnect the appliance from the power source and remove all contents.
- **Interior Maintenance:**
Clean the inside of the appliance with clean water and a non-hazardous cleaner, then wipe it dry with a cloth. Avoid using any abrasives or solvents during cleaning.
- **Door Gasket Maintenance:**
Thoroughly clean the door gaskets to prevent potential damage and increase operational life.
- **Outer Maintenance:**
Remove dust using a dry, clean cloth to maintain the external cleanliness of the appliance.

Caution: Do not employ alternative equipment or methods to aid the defrosting process, as it may cause damage to the cooling system.

Note: If there is excessive ice, the drip tray may overflow with surplus water. Wipe with dry cloths/ paper towels.

Regular Cleaning and Upkeep:

This appliance requires regular upkeep and cleaning for optimal performance. For safety, always disconnect the plug from the main power source before initiating cleaning procedures.

Contamination Prevention Guidelines

To prevent food contamination and ensure safe usage of your appliance, follow these guidelines:

- Avoid prolonged door openings to prevent a significant increase in internal temperature, which can lead to food spoilage.
- Regularly clean surfaces that come in contact with food, such as shelves, drawers, and door seals, using a mild detergent and warm water.
- Ensure accessible drains are also kept clean to prevent the build-up of dirt and bacteria.

If the appliance will be unused for an extended period, take the following steps:

- Switch off the fridge.
- Clean and dry the interior thoroughly.
- Leave the door open slightly to allow air circulation and prevent the growth of mold and mildew.
- Refrain from storing explosive substances, such as aerosol cans with flammable propellants, in the appliance to avoid potential hazards.
- In the event of a damaged power cable, only a qualified local electrician or retailer should carry out replacement to mitigate potential safety hazards.

Troubleshooting Guide

PROBLEM	POSSIBLE CAUSES & SOLUTIONS
The appliance does not work	<p>Ensure proper connection.</p> <p>Check if the circuit-breaker is tripped or if the fuse is blown.</p> <p>Verify the power socket by connecting another electrical appliance.</p>
The appliance is not cold enough	<p>Adjust the temperature setting.</p> <p>In high ambient temperatures, consider setting the fridge to a colder temperature.</p> <p>Limit frequent door openings.</p> <p>Ensure the door is fully closed and the seal is positioned correctly.</p> <p>Allow sufficient space around the fridge for proper ventilation.</p> <p>If ice is present conduct a manual defrost.</p>
The appliance operates continuously	<p>Ensure ambient room temperature is within the operating range. Reduce the number of items inside.</p> <p>Minimise door openings.</p> <p>Ensure the door is completely closed - confirm the proper positioning of the door seal.</p> <p>Check/adjust the temperature control setting.</p> <p>Ensure sufficient ventilation space.</p>
The light doesn't work	<p>Check the appliance is connected to a power supply.</p> <p>The circuit-breaker is tripped, or a fuse is blown.</p> <p>The LED lighting may need replacing.</p> <p>Check the light button switch is not at the "OFF" position.</p>

Troubleshooting Guide

PROBLEM	POSSIBLE CAUSES & SOLUTIONS
Vibrations / The appliance seems to be making too much noise.	<p>Ensure the appliance is leveled correctly and adjust feet if necessary.</p> <p>Make sure to properly position the shelves of the appliance within their grooves to minimise noise.</p>
The door does not close properly	<p>Ensure the appliance is leveled correctly and adjust feet if necessary.</p> <p>Adjust shelves or contents that may obstruct proper door closure.</p>
Water under the appliance	<p>Check the drip tray is not damaged/cracked.</p> <p>If the appliance is disconnected from the power supply to perform defrost the drip tray may overflow with excess water.</p>

Troubleshooting Guide

Fault Code Tips and Repair Instructions

Fault Code Form

Fault Code	Description
E1	Temperature Sensor Failure.
E3	Evaporator Temperature Sensor Failure

Fault Code Repair Guidelines

1. If the Error code is displayed on the monitor, check whether the temperature sensor works properly and whether the temperature sensor connector (connected to the power module) works properly. If the connector terminals are normal, replace the NTC of the temperature sensor.

Product Specification

Model Number	INTEGRA30 BL/SS	INTEGRA60 BL/SS
Colours	Black / Stainless Steel	Black / Stainless Steel
Cooling System	Compressor	Compressor
Temperature Range	3°C-18°C	3°C-18°C
Climate Class	SN/N	SN/N
Net Volume	58L	143L
Energy Class	F	F
Noise (dB)	38dB	37dB
External Dimensions (WxDxH)	295x587x825 (mm)	595x575x826 (mm)
Internal Dimensions (WxDxH)	220x430x610 (mm)	520x440x610 (mm)
Packing Dimensions(WxDxH)	360x647x890 (mm)	660x675x882 (mm)
Gross Weight	30kg	45.5kg
Net Weight	27.5kg	41.5kg
No. of Shelf	2 Wine Shelves / 2+1 Beverage Shelves	2 Wine Shelves / 2+1 Beverage Shelves
Door Material	UV Glass + Plastic/Stainless Steel	UV Glass + Plastic/Stainless Steel
Lighting (W)	1W	1W
Input Power (W)	75W	100W
Voltage Range	220-240V	220-240V
Refrigerant	R600a	R600a
Refrigerant Grams	21g	25g
Certification	CE, ERP, UKCA, REACH, ROHS	CE, ERP, UKCA, REACH, ROHS
Plugs included	13A Fuse—British Standard Plug	13A Fuse—British Standard Plug

EPREL

The appliance's actual consumption is influenced by its usage and location. Please note that this appliance is specifically designed for non-perishable storage. For detailed model information, refer to the product database outlined in Regulation (EU) 2019/2016, accessible via the following link or by scanning the QR Codes below:

<https://eprel.ec.europa.eu/screen/product/refrigeratingappliances2019>



INTEGRA30



INTEGRA60

Warranty Registration

To register your product warranty, kindly visit www.subcold.com/pages/product-registration and fill out the online form.

Environmental Friendly Disposal



To avoid any harm to the environment or human health caused by improper disposal of electrical waste, recycle the appliance responsibly to promote the reuse of material resources. Disposal must be done safely at public collection points provided for this purpose.

Older refrigerators may contain CFCs that destroy the ozone layer; contact your nearest waste treatment centre for more details on proper disposal procedures.



sales@subcold.com



01506 440557



[@subcoldltd](https://www.facebook.com/subcoldltd)



[@subcold_official](https://www.instagram.com/subcold_official)

Subcold Ltd.

28/2 Firth Road
Houstoun Industrial Estate
Livingston, EH54 5DJ, United Kingdom.
www.subcold.com

Authorised Representative

Authorised Rep Compliance Ltd.
Ground Floor, 71 Lower Baggot Street
Dublin, D02 P593, Ireland.
www.arccompliance.com