



www.subcold.com

VANITY SERIES

PLEASE READ & RETAIN USER MANUAL FOR FUTURE REFERENCE

USER MANUAL

Contents

Important Safety Warnings	3-4
Intended Usage & Environment	4
Diagrams	5
Operating Instructions	6-7
Moving & Handling Your Appliance	8
Maintenance	8
Contamination Prevention Guidelines	9
Troubleshooting Guide	10-11
Product Specification	12
EPREL	13
Warranty	13
Environmental Friendly Disposal	13

Important Safety Warnings

- Ensure the power cable is not trapped or damaged during positioning to prevent electrical hazards.
- Keep the product away from flammable or explosive materials to mitigate the risk of fire or explosion hazards.
- Protect the appliance from exposure to any water or damp areas to prevent electrical hazards.
- Refrain from rinsing the appliance with water to maintain cleanliness and dryness, thus avoiding electrical hazards.
- Avoid covering the rear fan outlet with curtains or clothing to prevent overheating and potential damage to the appliance.
- Repairs should only be attempted by qualified professionals; non-professionals should refrain from opening the machine to prevent further damage or injury.
- To prevent damage, refrain from placing the appliance upside down and avoid dropping or causing shocks during handling.
- Store fresh food inside the appliance only when properly packaged to maintain food safety and hygiene standards.
- Avoid positioning portable power sockets or cables at the rear of the appliance to maintain proper airflow and prevent overheating.
- Ensure adequate ventilation around the appliance for optimal performance and to prevent overheating.
- Refrain from using other electrical appliances inside the product to prevent damage or interference with its operation.
- Keep children away from the appliance, avoid cleaning with flammable liquids, and store flammable materials away from it to prevent fire hazards.
- Clean the appliance using non-abrasive cleaners or soapy water, avoiding solvents that may damage the appliance.
- Ensure proper ventilation clearance around the appliance for heat dissipation to maintain optimal performance.
- Minimise door openings to maintain a stable temperature inside the appliance and reduce energy consumption.
- Follow general installation guidelines to avoid heat sources, direct sunlight, and other electrical equipment on the appliance to prevent damage and ensure proper operation.

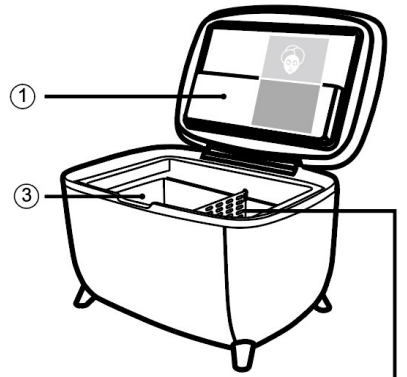
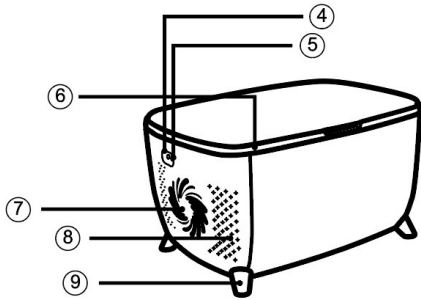
Important Safety Warnings

- Refrain from storing perishable food for extended periods, as the temperature may not be sufficiently cold, leading to food spoilage.
- Supervision and Usage: Persons with low physical, sensory, and mental capabilities (including children below 8 years) are not advised to use this appliance unless they are well supervised/instructed by a safety person. Children should be supervised to ensure that they do not play with the appliance. Cleaning and user maintenance should not be done by children without supervision.

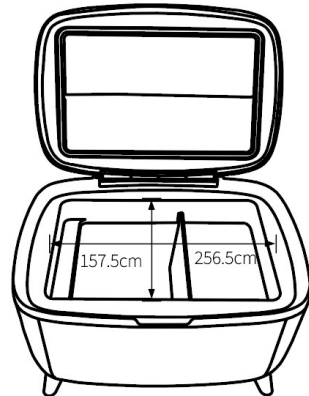
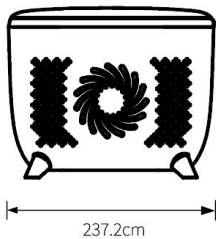
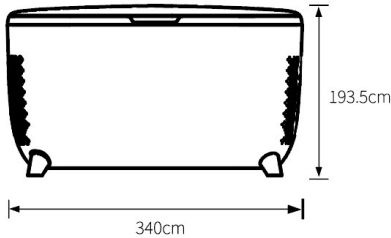
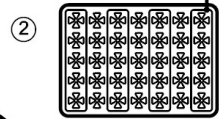
Intended Usage & Environment

- Intended Use and Temperature Range: This appliance is specifically designed for indoor use within households and similar applications, excluding catering and non-retail environments. It operates optimally within a room temperature range of 16°C to 32°C.
- Age Recommendation and Supervision: This appliance is intended for use by individuals aged 8 years or older. Individuals with reduced physical, sensory, or mental abilities may use this item, provided they are under appropriate supervision. Cleaning and user maintenance activities should be overseen. It is crucial to provide clear instructions on safe usage and address any associated risks.
- Child Safety Warning: Refrain from using this product in areas accessible to children, and do not permit unsupervised use by children. The appliance is not designed for play by children.
- Built-in Use: This appliance is not intended for built-in use.
- Food Freezing Warning: It is not suitable for freezing food items.

Diagrams



- ① Interior Door Mask Pocket
- ② Removable Partition
- ③ Cooling Zone
- ④ COOL LED Indicator Light
- ⑤ AC Plug In
- ⑥ Chrome Bezel
- ⑦ Air intake
- ⑧ Air outlet
- ⑨ Chrome Feet
- ⑩ AC Power Cable with Adapter



Operating Instructions

Before Putting Your Appliance Into Use

- Remove all inner and outer packaging components, including adhesive transport tapes.
- Verify that none of the following are missing:
 - Removable Shelves
 - Operating Manual
- Clean the inner surfaces of the unit with a soft cloth and warm, soapy water. Avoid using any abrasive cleaners or solvents.
- Install the appliance away from direct sunlight and heat sources to prevent damage to the coating and reduce power consumption. Extreme temperatures can affect proper operation.
- Maintain a minimum of 3-5cm clearance at the top of the appliance, and a 3-5cm clearance on each side of the appliance for proper ventilation and heat dissipation.
- Do not install the unit in unheated buildings, outbuildings, or garages.
- This unit is for indoor use only.

Caution: Keep the unit away from any substances that may cause combustion.

Using Household Power

- Connect the lead to the appliance, do not force the power cord into the appliance.
- Securely plug the power lead into the household power outlet and turn on the power.
- Ensure good air circulation around the fridge during operation. Do not block or cover the appliance.

Using USB Power

- Securely plug the USB lead into the USB power outlet. Do not force any leads into the appliance.
- Ensure the fridge is connected to a USB outlet with a minimum current output of 2A.

Operating Instructions

- When using the fridge in a vehicle, ensure the engine is running to provide adequate voltage supply to the fridge.
- Plug into the USB-marked socket on the fridge.
- Maintain good air circulation (at least 3-5cm clearance on all sides and top) around the fridge during operation and avoid blocking or covering the appliance.

Tips

- For very cold drinks, aluminum canned drinks enhance the icing effect.
- Note that colder ambient temperatures may cause internal freezing of items.
- Ensure room temperature remains between 18-25°C for optimal operation.
- The cooler the ambient temperature, the colder the compact refrigerator gets.
- The lowest possible temperature depends on the surrounding environment.
- Adequate ventilation is essential at all times.

Moving & Handling Your Appliance

How to Safely Disconnect Your Fridge

Take note of the position of each accessory when packing the appliance.

When repacking for transportation, ensure everything is securely packed and accessories are securely in place.

Avoid lifting or pulling the door or handle during transport to prevent damage.

Maintenance

- **Preparation for Maintenance**
Disconnect the appliance from the power source and remove all contents.
- **Interior Maintenance:**
Clean the inside of the appliance with clean water and a non-hazardous cleaner, then wipe it dry with a cloth. Avoid using any abrasives or solvents during cleaning.
- **Door Gasket Maintenance:**
Thoroughly clean the door gaskets to prevent potential damage and increase operational life.
- **Outer Maintenance:**
Remove dust using a dry, clean cloth to maintain the external cleanliness of the appliance.

Regular Cleaning and Upkeep:

This appliance requires regular upkeep and cleaning for optimal performance. For safety, always disconnect the plug from the main power source before initiating cleaning procedures.

Contamination Prevention Guidelines

To prevent food contamination and ensure safe usage of your appliance, follow these guidelines:

- Avoid prolonged door openings to prevent a significant increase in internal temperature.
- Regularly clean surfaces such as shelves, drawers, and door seals, using a mild detergent and warm water.
- Ensure accessible drains are also kept clean to prevent the build-up of dirt and bacteria.

If the appliance will be unused for an extended period, take the following steps:

- Switch off the fridge.
- Clean and dry the interior thoroughly.
- Leave the door open slightly to allow air circulation and prevent the growth of mold and mildew.
- Refrain from storing explosive substances, such as aerosol cans with flammable propellants, in the appliance to avoid potential hazards.
- In the event of a damaged power cable, only a local qualified electrician or retailer should carry out replacement to mitigate potential safety hazards.

Troubleshooting Guide

PROBLEM	POSSIBLE CAUSES & SOLUTIONS
The appliance does not work	<p>Ensure proper connection.</p> <p>Check if the circuit-breaker is tripped or if the fuse is blown.</p> <p>Verify the power socket by connecting another electrical appliance.</p>
The appliance is not cold enough	<p>Adjust the temperature setting.</p> <p>In high ambient temperatures, consider setting the fridge to a colder temperature.</p> <p>Limit frequent door openings.</p> <p>Ensure the door is fully closed and the seal is positioned correctly.</p> <p>Allow sufficient space around the fridge for proper ventilation.</p>
The appliance operates continuously	<p>Ensure ambient room temperature is within the operating range. Reduce the number of items inside.</p> <p>Minimise door openings.</p> <p>Ensure the door is completely closed - confirm the proper positioning of the door seal.</p> <p>Check/adjust the temperature control setting.</p> <p>Ensure sufficient ventilation space.</p>
Blinking Green Light	<p>Contact Customer Support.</p>
Loud Noises / Unit is not cooling	<p>The fan may make a slight whirring sound, this sound is normal.</p> <p>If there is any loud sound emitting from the appliance, turn off the power, unplug and check fan for obstruction, Hoover the vent to clear any dust/debris from the inside.</p>

Troubleshooting Guide

PROBLEM	POSSIBLE CAUSES & SOLUTIONS
Unit stopped working / Light on the back is off	Check power outlet and fuse.
The door does not close properly	<p>Ensure the appliance is leveled correctly.</p> <p>Adjust shelves or contents that may obstruct proper door closure.</p>
<p>Ice build up inside the back around screws</p> <p>Water collecting at the bottom of the unit/water leakage</p>	<p>Check the power outlets.</p> <p>Ensure the door is clean, free from obstruction, and securely closed.</p> <p>It is normal for thermoelectric units to produce water droplets during cooling, which may freeze and then melt.</p> <p>Check for water condensation in the unit; if present, it's likely due to normal condensation.</p> <p>Use a soft dry cloth to gently wipe down the inside to remove any moisture accumulation. It's recommended to perform this wipe-down once or twice a week.</p>
Back of the fridge is hot	<p>Thermoelectric units operate by transferring heat from one side to the other when a DC electric current flows through the unit. It's essential to maintain a clearance of 3-5cm to ensure adequate airflow and circulation. If you notice excessive heat at the back of your mini fridge, please power off the unit and promptly contact our Customer Support team for assistance.</p>
Removing Shelves/Door Pocket	<p>To remove the shelf, gently slide out.</p> <p>To remove door pocket, gently slide/lift upwards from the slot.</p>

Product Specification

Model	VANITY6
Colours	White
Cooling System	Thermoelectric
Temperature Range	15°C below ambient room temperature.
Climate Class	SN/N
Net Volume	6L
Energy Class	-
Noise (dB)	28dB
External Dimensions (WxDxH)	338x235x193 (mm)
Internal Dimensions (WxDxH)	235x158x140 (mm)
Packing Dimensions (WxDxH)	369x255x222 (mm)
Gross Weight	2.75kg
Net Weight	1.75kg
No. of Shelf	1
Door Material	Plastic
Lighting (W)	-
Input Power	AC 18W USB 6.5W
Voltage Range	AC 100-240V / DC5V USB
Lock and Key	No
Certification	CE, ROHS, UKCA
Plugs included	USB Cord & UK AC Adapter 9V 3A

EPREL

The appliance's actual consumption is influenced by its usage and location. Please note that this appliance is specifically designed for non-perishable storage.

Warranty Registration

To register your product warranty, kindly visit www.subcold.com/pages/product-registration and fill out the online form.

Environmental Friendly Disposal



To avoid any harm to the environment or human health caused by improper disposal of electrical waste, recycle the device responsibly to promote the reuse of material resources. Disposal must be done safely at public collection points provided for this purpose.

Older refrigerators may contain CFCs that destroy the ozone layer; contact your nearest waste treatment centre for more details on proper disposal procedures.



 sales@subcold.com

 01506 440557

 @subcoldltd

 @subcold_official

Subcold Ltd.

28/2 Firth Road
Houstoun Industrial Estate
Livingston, EH54 5DJ, United Kingdom.
www.subcold.com

Authorised Representative

Authorised Rep Compliance Ltd.
Ground Floor, 71 Lower Baggot Street
Dublin, D02 P593, Ireland.
www.arccompliance.com